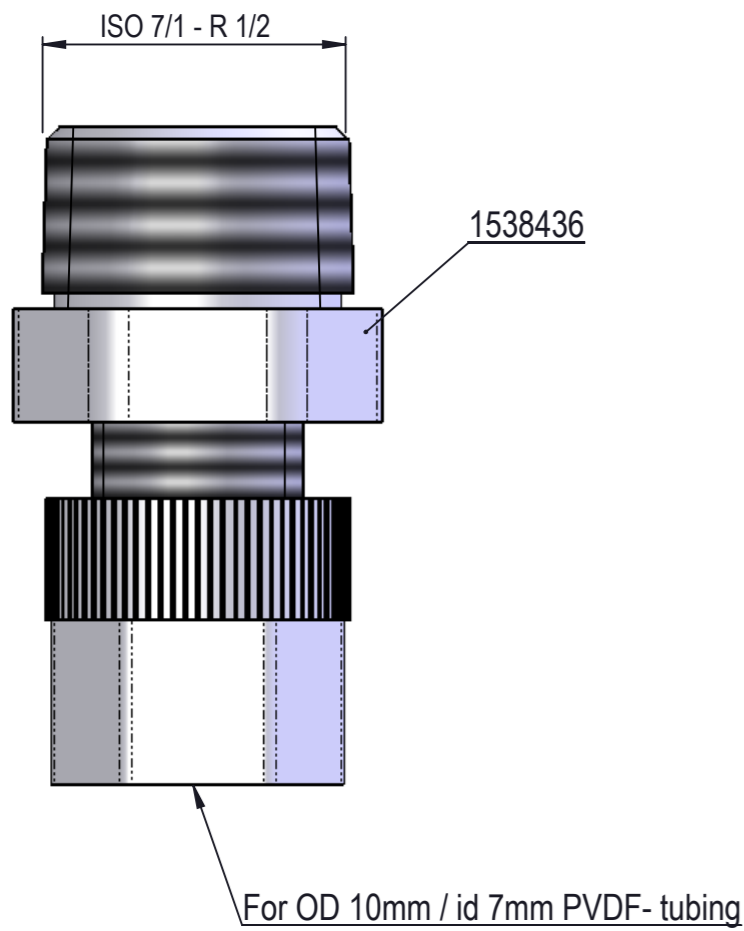
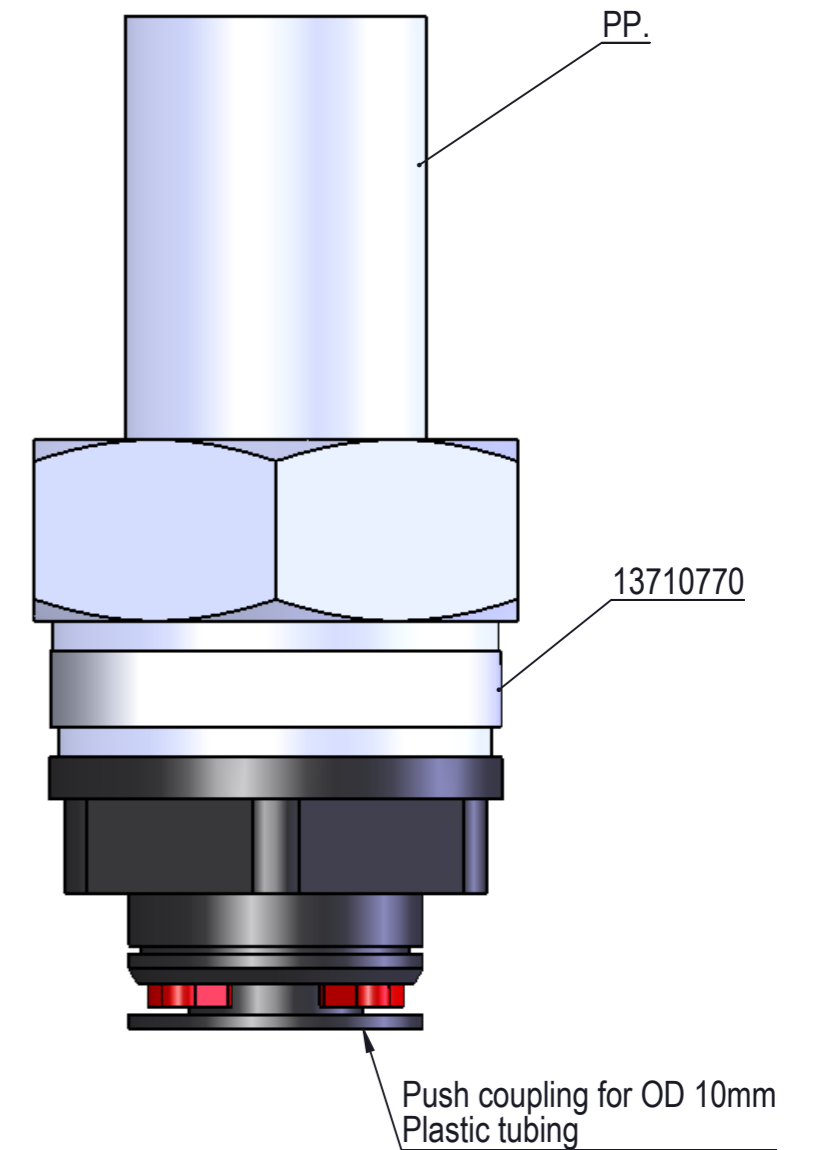
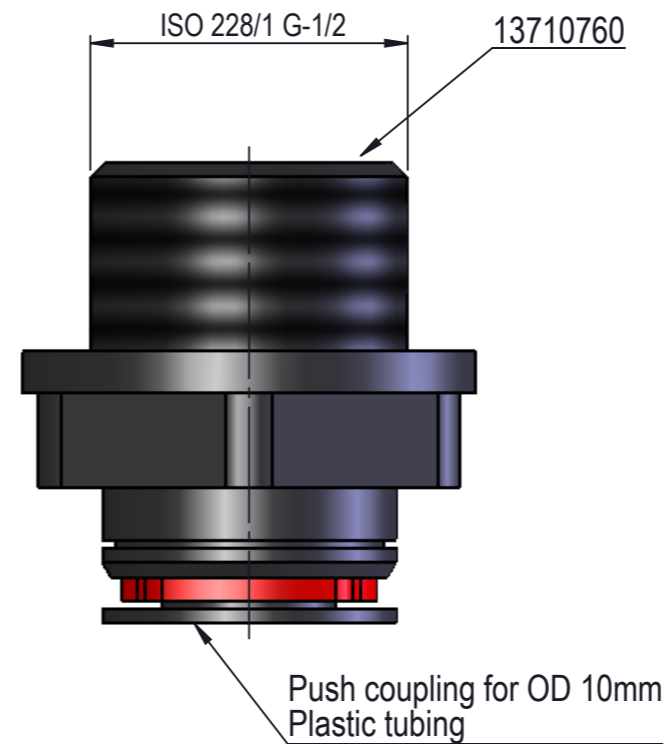


# PVDF Adapter

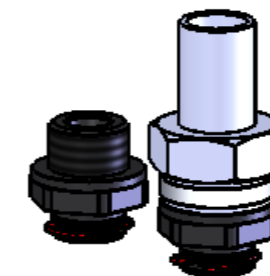
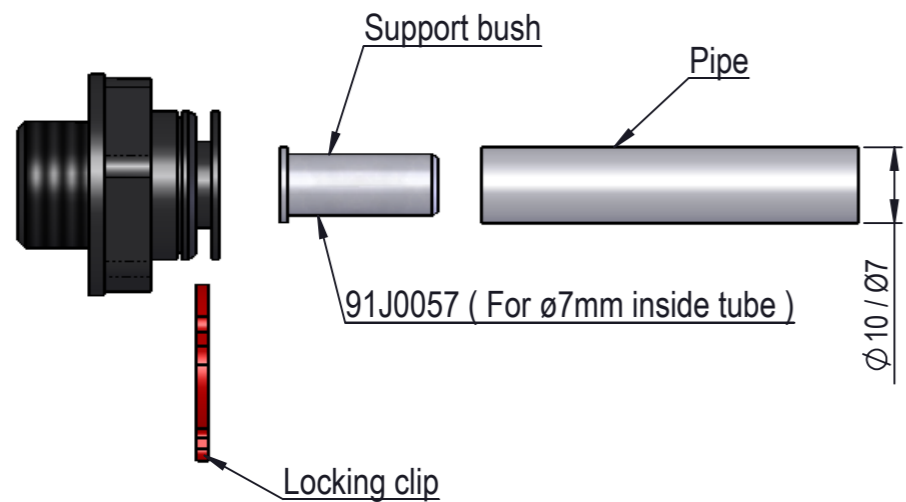


JG- Adapter from OD 10mm plastic tubing to thread : G-1/2 connection

JG - Adapter from OD 10mm plastic tubing to -, butt-, socket- BCF® - welding



## Mounting instruction



Description:		Adaptor for Ø10mm hose	
Media:		Special water	
Material:			
Specification:			
Comments:			
Drawing type:		Weight:	
All dimensions maked with  are inspection dimensions			
Unspecified liniar tolerances:		Unspecified angular tolerances:	
Designed by:	Drawn by:	Released on TM No.	Date:
	BJP	6066	07-06-13
Format:	Drawing No.:		99G0022
A3			

Rev.	Pos.	Date	TM No.	Design by	Drawn by:	Change:

**BROEN**  
 This drawing is our property and cannot be given to a third party, copied or otherwise used without our permission. BROEN A/S.  
 Revision 27-08-2009

